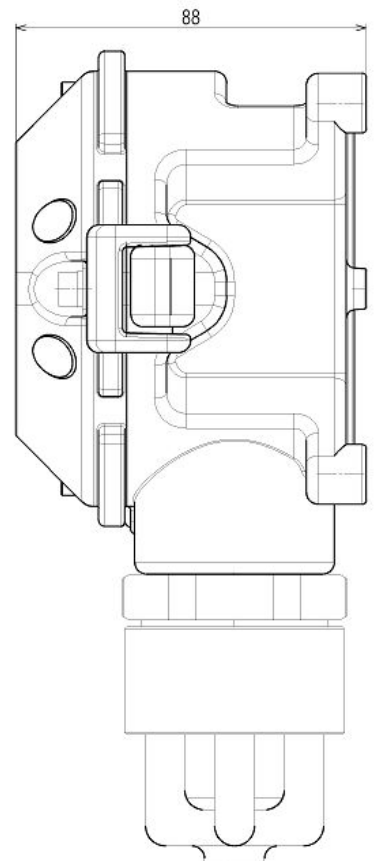
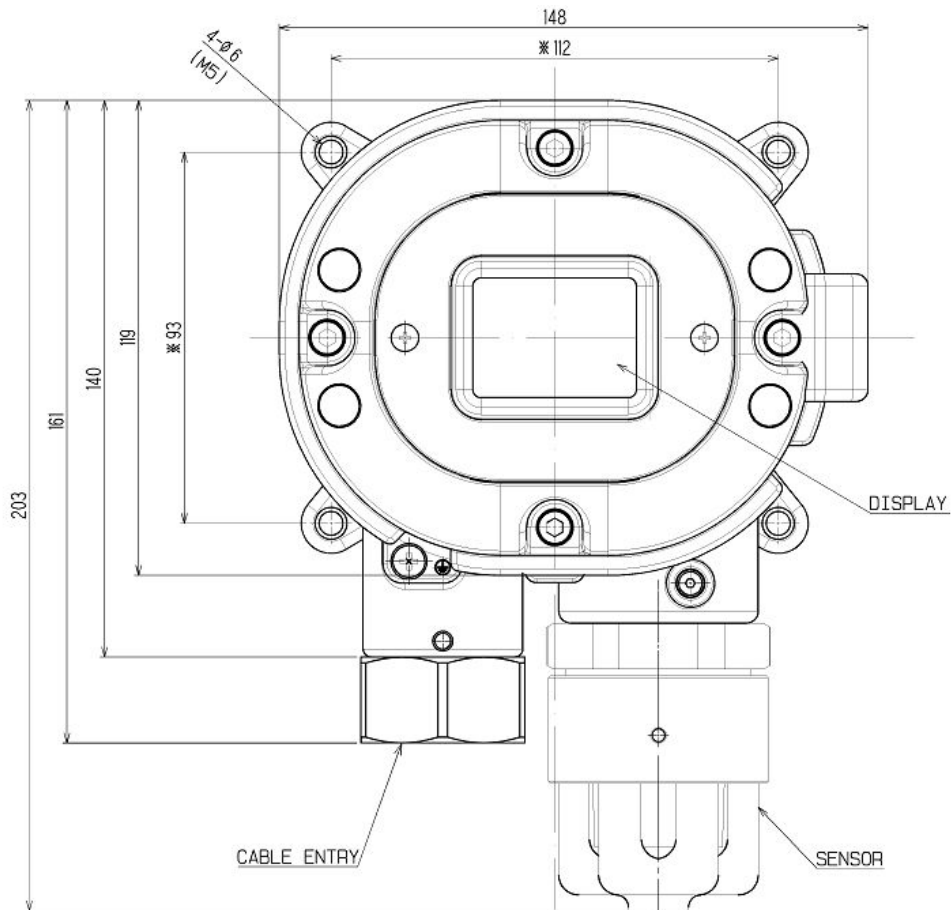


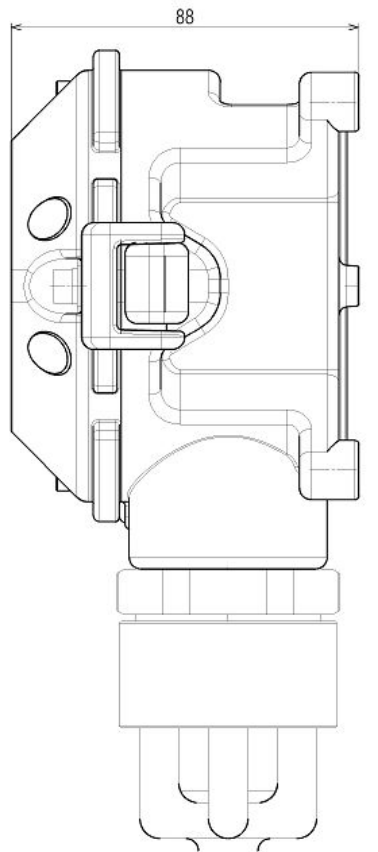
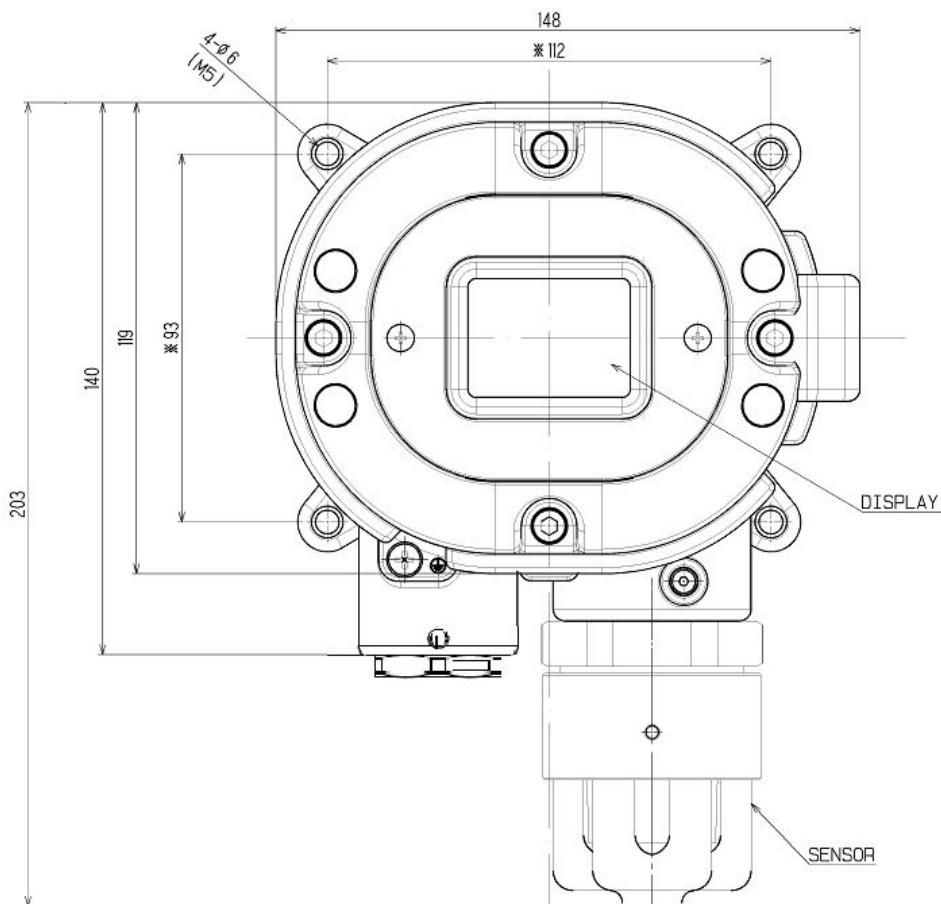
**GAS DETECTOR WITH SIGNAL CONVERTER**  
**SD-10X (ATEX - IECEx/Anoxia alarm) SPECIFICATION**

Detection principle	Galvanic cell method
Detectable gas	O <sub>2</sub>
Gas concentration display	LED(4digits・7segments)
Measuring range	0~25vol%
Detection method	Diffusion method
Alarm preset point	18vol%(L) 【Standard】
Power indication	POWER lamp lighting(green)
Output	Gas concentration signal Alarm contact(Gas alarm or Trouble alarm or Gas・Trouble common alarm)
Indicate accuracy (under an identical condition)	Within $\pm 0.7$ vol%
Response time (under an identical condition)	Within 30sec(T90)
Gas alarm type	Single alarm(L)
Gas alarm indication	ALM lamp lighting(red)
Gas alarm action	Auto-recover
Trouble alarm・Self diagnosis	System failure/Sensor failure
Trouble alarm indication	FAULT lamp lighting(yellow)/content display
Trouble alarm action	Auto-recover
Alarm contact	No-voltage contact 1a・Non-exciting at normal(exciting at alarm) or exciting at normal(non-exciting at alarm)
Contact capacity	AC250V・0.5A/DC30V・0.5A(resistive load)
Transmission scheme	Three-wire analog transmission (in common with power supply<power supply, signal, common>)
Specification of Transmission	DC4~20mA (linear・load resistance less than 300 $\Omega$ ・resolution ability 200division)
Transmission cable	Control-use shield cable(AWG 16)・3-core or 5-core(by using alarm contact)
Transmission distance	Less than 1.25km
Power supply	DC24V(DC17~26.4V)
Power consumption	MAX. 1.1W
Cabling port	Flame proof packing method (Cable gland<G3/4> or Adapter A<NPT1/2> or Adapter B<NPT3/4>)
Initial clear	Approx. 25sec
Operating temperature	-10~40°C(non-rapidly-vary)
Operating humidity	Less than 95%RH(non-condensing)
Structure	Wall mounting type
Explosion-proof structure	Flame proof structure
Explosion-proof grade	II 2GExd II CT6Gb (DEKRA/ATEX) (IECEx)
Explosion-proof approval No.	DEKRA13ATEX0035X (ATEX) / IECExDEK13. 0024X (IECEx)
Outer dimension	Approx. 148 (W) × 208 (H) × 88 (D) mm (projection excluding)
Weight	Approx. 2.5kg
Color	Munsell 7.5BG5/2

**Outline Drawings**  
**【Cable gland<G3/4>】**



**【Adapter A<NPT1/2>】**



Terminal Drawings

DC24V	DC+	1
	—(common)	2
4-20mA	Sig+	3
	Alarm contact	4
	Alarm contact	5